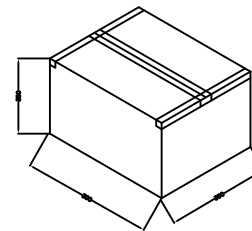
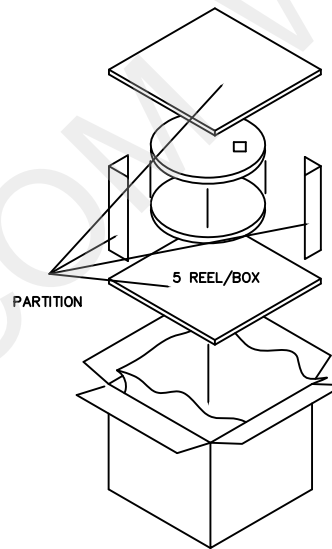
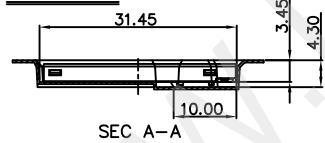


DETAIL X



NOTES

- 1.MATERIAL: PS (Color: black)
- 2.DEFORMATION(變形)&DAMAGE(損壞): NA.(不可)
- 3.PACKING: 350 PCS/REEL ; 7 REEL/BOX



深圳市华宇创精密电子有限公司

TOLERANCE: X.X ±0.30 X.XX ±0.25 X.XXX ±0.15 X.' ±2" X.X' ±0.5"	DRAWN BY : 陈一鸣	DATE : 2014-02-23	PART NAME: 包装图	
	CHECKED BY: 马跃	DATE : 2014-02-23	PART NO.	
UNIT: mm [inch] SCALE: 1:1 SIZE: A4	APPROVED BY: 邱敏	DATE : 2014-02-23	MOLD NO.	
			DRAW NO:	
			SHEET NO.	1 OF 1